

DAIKYO _____
Crystal Zenith[®]
THE CLEAR SOLUTION

**PRODUCT
INFORMATION**



West [®]
By your side
for a healthier world™

TABLE OF CONTENTS

VIALS

0.5mL Conical	3
2.0mL.....	4
5.0mL.....	5
10.0mL.....	6
50.0mL.....	7
100.0mL.....	8

FLIP-OFF® SEAL RECOMMENDATION CHART	9
--	----------

CARTRIDGES

SmartDose® Electronic Wearable Injector	10
---	----

SYRINGES - LUER LOCK

1.0mL.....	11
5.0mL.....	12

SYRINGES - INSERT NEEDLE

1.0mL (Regular Wall Cannula)	13
1.0mL (Thin Wall Cannula)	14

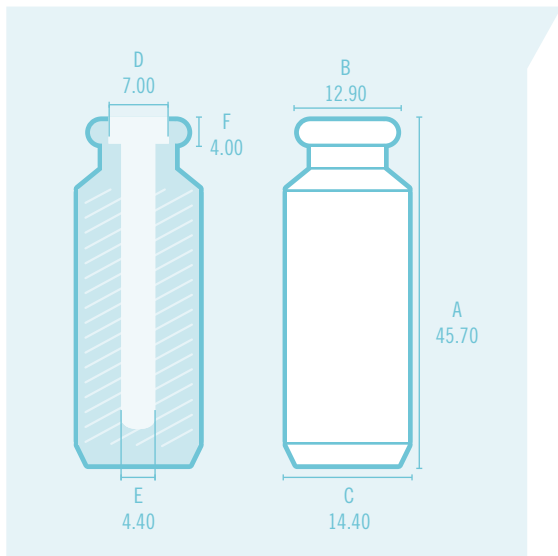
DAIKYO SYRINGES COMPARISON CHART	15
---	-----------

USE-BY DATE	16
--------------------------	-----------



VIALS

0.5mL Conical - 13mm



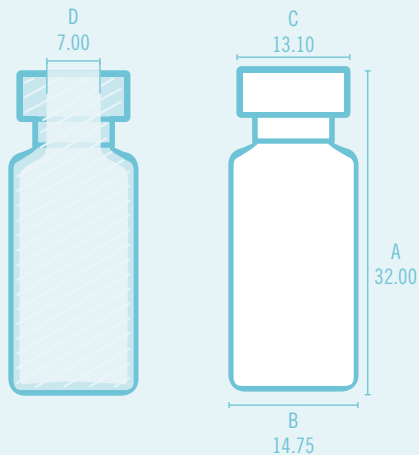
Measurement Points	Dimensions
Overall Height (A)	45.70 mm
OD of Crown (B)	12.90 mm
OD of Body (C)	14.40 mm
ID of Crown (D)	7.00 mm
ID of Body (E)	4.40 mm
Depth of Crown (F)	4.00 mm

	Vials per Tray	Trays per Carton	Vials per Carton (=MOQ)	Item #	Recommended Daikyo Stopper
RU	480	1	480	19558506	S2-F451 D21-7S
Non-RU	480	6	2880	19550055	S2-F451 D21-7S

VIALS

2.0mL [2A13-3] - 13mm

DAIKYO
Crystal Zenith[®]
THE CLEAR SOLUTION

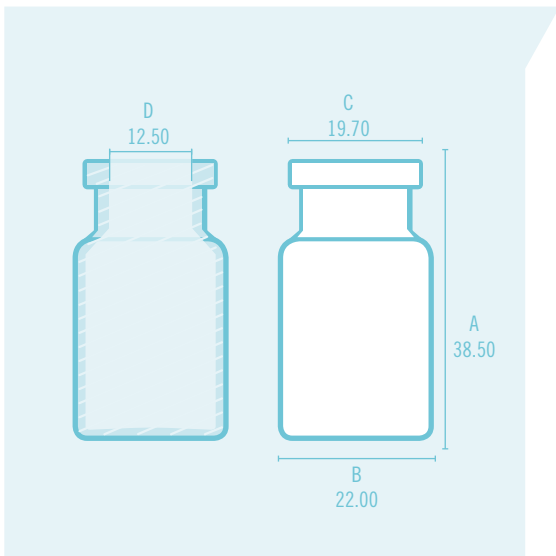


Measurement Points	Dimensions
Overall Height (A)	32.00 mm
OD of Body (B)	14.75 mm
OD of Crown (C)	13.10 mm
ID of Crown (D)	7.00 mm

	Vials per Tray	Trays per Carton	Vials per Carton (=MOQ)	Item #	Recommended Daikyo Stopper
RU	480	4	1920	19550057	S2-F451 D21-7S
Non-RU	480	8	3840	19500682	S2-F451 D21-7S

VIALS

5.0mL [5A20] - 20mm



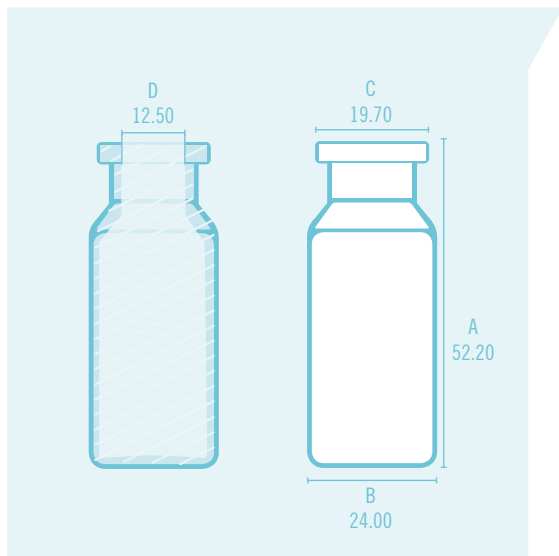
Measurement Points	Dimensions
Overall Height (A)	38.50 mm
OD of Body (B)	22.00 mm
OD of Crown (C)	19.70 mm
ID of Crown (D)	12.50 mm

	Vials per Tray	Trays per Carton	Vials per Carton (=MOQ)	Item #	Recommended Daikyo Stopper
RU	224	4	896	19550207	S10-F451 D21-7S
Non-RU	224	7	1568	US 19550006 EU 19500682	S10-F451 D21-7S

VIALS

10.0mL [10A20] - 20mm

DAIKYO
Crystal Zenith[®]
 THE CLEAR SOLUTION



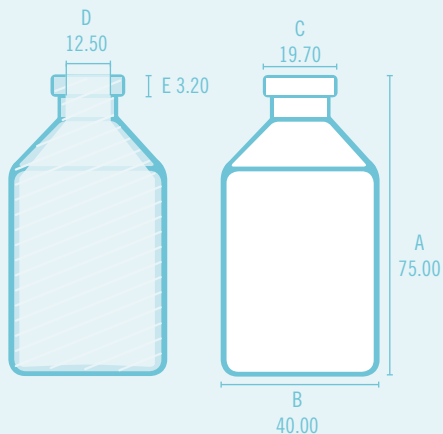
Measurement Points	Dimensions
Overall Height (A)	52.20 mm
OD of Body (B)	24.00 mm
OD of Crown (C)	19.70 mm
ID of Crown (D)	12.50 mm

	Vials per Tray	Trays per Carton	Vials per Carton (=MOQ)	Item #	Recommended Daikyo Stopper
RU	168	4	672	19558512	S10-F451 D21-7S
Non-RU	168	5	840	US 19550022 EU/ASIA 19500678	S10-F451 D21-7S

VIALS

50.0mL [50A20] - 20mm

DAIKYO _____
Crystal Zenith[®]
 THE CLEAR SOLUTION

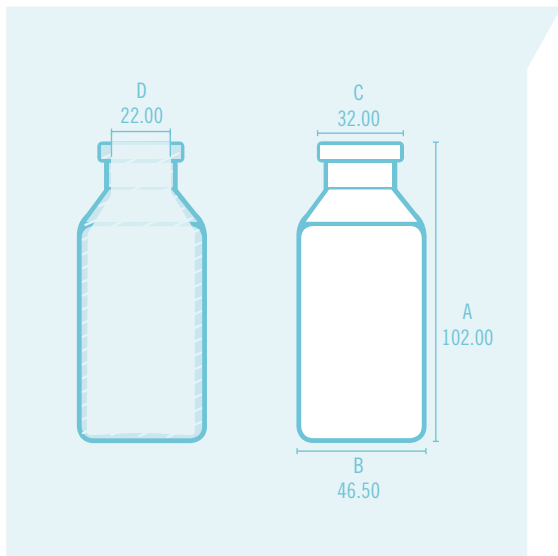


Measurement Points	Dimensions
Overall Height (A)	75.00 mm
OD of Body (B)	40.00 mm
OD of Crown (C)	19.70 mm
ID of Crown (D)	12.50 mm
Lip Height (E)	3.20 mm

	Vials per Tray	Trays per Carton	Vials per Carton (=MOQ)	Item #	Recommended Daikyo Stopper
RU	56	4	224	19558517	S10-F451 D21-7S
Non-RU	56	4	224	US 19550005 EU/ASIA 19500719	S10-F451 D21-7S

VIALS

100.0mL [100A32-3] - 32mm



Measurement Points	Dimensions
Overall Height (A)	102.00 mm
OD of Body (B)	46.50 mm
OD of Crown (C)	32.00 mm
ID of Crown (D)	22.00 mm

	Vials per Tray	Trays per Carton	Vials per Carton (=MOQ)	Item #	Recommended Daikyo Stopper
RU	42	3	126	19550211	L200-F3 D21-7S
Non-RU	42	3	126	US 19550011	L200-F3 D21-7S
				EU 19500691	
				ASIA 19500709	
				ASIA 19550212	
				ASIA 19550011	

FLIP-OFF® SEAL* RECOMMENDATIONS

Recommendations for Sourcing from West US. Recommendations are based on CZ Vials + WPS S2 F451 4432/50 or WPS S10 F451 4432/50

CZ Vial	Neck size	US Embossed Button	US Matte Button
Conical 0.5	13mm	5135	5404
Vial 2A13-3	13mm	13-F-A-565	13-F-A-626
Vial 5A20	20mm	20-F-A-461	20-F-A-729
Vial 10A20	20mm	20-F-A-461	20-F-A-729
Vial 20A20	20mm	20-F-A-461	20-F-A-729
Vial 50A20	20mm	20-F-A-461	20-F-A-729
Vial 100A32-3	32mm	5071	5151

Recommendations for Sourcing from West EU. Recommendations are based on CZ Vials + Daikyo S2-F451 D21-7S or Daikyo S10-F451 D21-7S

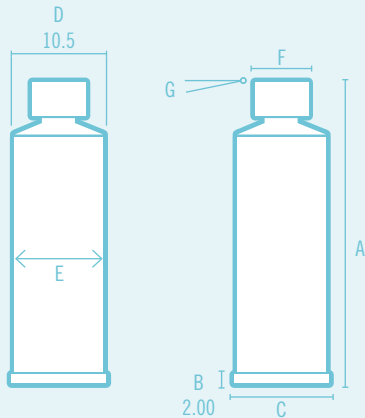
CZ Vial	Neck size	"Flip-Off" Button	Matte Button
Conical 0.5	13mm	5135	5404
Vial 2A13-3	13mm	5107	5106
Vial 5A20	20mm	5166	5147
Vial 10A20	20mm	5166	5147
Vial 20A20	20mm	5166	5147
Vial 50A20	20mm	5166	5147
Vial 100A32-3	32mm	5071	5151

*Restrictions may apply. Ask us about the compliance requirements for the revised USP General Chapter <1> Injections, Labeling of Ferrules and Cap Overseals standard

CARTRIDGES

SmartDose[®] Electronic Wearable Injector

DAIKYO
Crystal Zenith[®]
 THE CLEAR SOLUTION



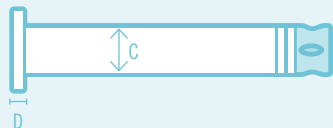
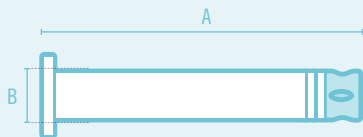
Measurement Points	Dimensions
Overall Length (A)	56.10 mm
Flange Thickness (B)	2.00 mm
Flange OD (C)	17.86 mm
Cartridge Barrel OD (D)	10.50 mm
Cartridge Barrel ID (E)	12.40 mm
Cap OD (F)	8.75 mm
Cap Angle (G)	≤ 3°
Max fill volume	3.70 ml

COMPONENTS

Component	Pieces / Carton (=MOQ)	Item #
SmartDose Cartridge with assembled cap and septum	384 (6 x 64 units)	19558511
Piston (Bulk)	3,000 (2 x 1,500)	19550330
Piston (Nested)	384 (6 x 64 units)	19550344
Piston (Bulk, Triple Bag)	3,000 (2 x 1,500)	19550346

SYRINGES – LUER LOCK

1.0mL Luer Lock Syringe

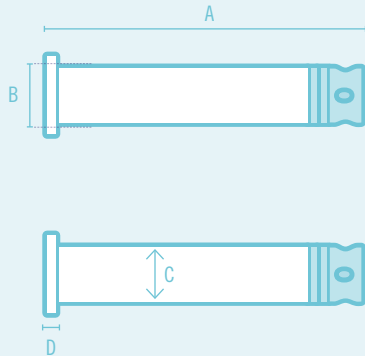


Measurement Points	Dimensions
Overall Length (A)	72.80 mm
Barrel OD (B)	10.50 mm
Barrel ID (C)	6.90 mm
Barrel Flange Thickness (D)	2.00 mm

COMPONENTS FOR RU SYRINGES

Component	Pieces / Carton (=MOQ)	Item #
Syringe with assembled nozzle cap	600 (6 x 100 units)	19550705
Piston (Bulk)	10,000 (2 x 5,000)	19550322
Piston (Nested)	600 (6 x 100 units)	19550525
Plunger Rod	5,000	19550101

SYRINGES – LUER LOCK
5.0mL Luer Lock Syringe



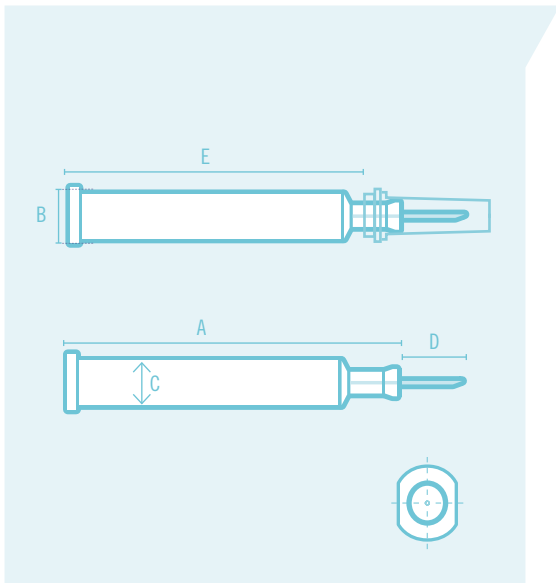
Measurement Points	Dimensions
Overall Length (A)	81.00 mm
Barrel OD (B)	15.45 mm
Barrel ID (C)	12.40 mm
Barrel Flange Thickness (D)	3.00 mm

COMPONENTS

Component	Pieces / Carton (=MOQ)	Item #
Syringe with assembled nozzle cap	384 (6 x 64 units)	19558507
Piston (Bulk)	3,000 (2 x 1,500)	19550330
Piston (Nested)	384 (6 x 64 units)	19550344
Piston (Bulk, Triple Bag)	3,000 (2 x 1,500)	19550346
Plunger Rod	2,000	19550105

SYRINGES – INSERT NEEDLE

1.0mL Long Insert Needle (Regular Wall Cannula)



Measurement Points	Dimensions
Barrel Length (A)	64.00 mm
Barrel OD (B)	8.15 mm
Barrel ID (C)	6.35 mm
Exposed Needle Length (D)	12.70 mm
Needle Shield Gap (E)	56.10 mm

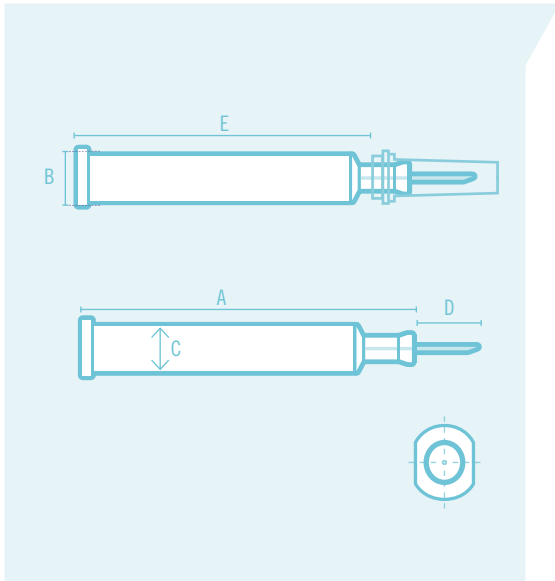
COMPONENTS FOR RU SYRINGES

Component	Pieces / Carton (=MOQ)	Item #
Syringe with assembled needle shield (7028/55 Gray)*	600 (6 x 100 units)	19550807
Piston (Bulk)	10,000 (2 x 5,000)	19550338
Piston (Nested)	600 (6 x 100 units)	19550340
Piston (Bulk, Triple Bag)	10,000 (2 x 5,000)	19550341
Plunger Rod	4,500	19550113

*Rigid Needle Shield available in 2015

SYRINGES – INSERT NEEDLE

1.0mL Long Insert Needle (Thin Wall Cannula)



Measurement Points	Dimensions
Barrel Length (A)	64.00 mm
Barrel OD (B)	8.15 mm
Barrel ID (C)	6.35 mm
Exposed Needle Length (D)	12.70 mm
Needle Shield Gap (E)	56.10 mm

COMPONENTS FOR RU SYRINGES

Component	Pieces / Carton (=MOQ)	Item #
Syringe with assembled needle shield (7028/55 Gray)*	600 (6 x 100 units)	19558501
Piston (Bulk)	10,000 (2 x 5,000)	19550338
Piston (Nested)	600 (6 x 100 units)	19550340
Piston (Bulk, Triple Bag)	10,000 (2 x 5,000)	19550341
Plunger Rod	4,500	19550113

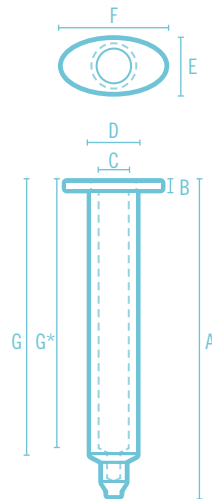
*Rigid Needle Shield available in 2015

DAIKYO SYRINGES NON-RU COMPARISON CHART

DAIKYO
Crystal Zenith[®]
THE CLEAR SOLUTION

BARREL SIZE	A	B	C	D	E	F	G
OVERFLOW LENGTH	FLANGE THICKNESS	BARREL I.D.	BARREL O.D.	SHORTER SIDE OF FLANGE	LONGER SIDE OF FLANGE	BODY HEIGHT (*=INNER)	

Item Name	Drawing No.	mL	mm	mm	mm	mm	mm	mm	mm				
Barrel 0.5LL-S	B408005-1	0.5	63.00	2.00	4.80	10.50	15.25	18.30	52.00*				
Barrel 1LT-2	B401002-2	1	63.20		6.90		12.70	14.50	23.00	53.40			
Barrel 1LL-S	B405001-1		63.00			15.25		18.30	51.50*				
Barrel 1LL	B400001-1		70.20			16.00		27.50	59.80*				
Barrell 2.5LL	B400002-1	2	65.80	8.70	12.70	11.70	14.60	23.50	55.30				
Barrel 3LT	B497027T-2	3	78.50						15.45	20.00	22.00	*	68.10
Barrel 5LL-S	B407001-1	5	78.60									12.40	15.45
Barrel 5LT	B497031T-4		80.00	2.00	32.00	68.10							
Barrel 5LL-2	B499003-1		78.60	2.10									
Barrel 10LT	B497033T-1	10	100.40	2.00	15.00	19.20	21.10	32.60	89.30				
Barrel 10LL-3	B407002		100.70	2.10						19.00	21.00	32.50	89.80
Barrel 20LT	B497035T-1	20	102.20	2.00	20.50	24.20	28.00	40.00	89.30				
Barrel 20LL-3	B407003			2.10					24.50	90.80			
Barrel 50LL	B497037T	50	133.80	2.10	29.45	33.40	39.10	45.00	120.40				
Barrel 50LL-2	B402001					32.20							
Barrel 100LL-2	B402002	100	169.80	2.90	32.10	35.40	41.45	47.65	156.40				
Barrel 150LL	B408004	150	162.50	3.50	46.00	49.75	55.30	61.40	146.80				



Use-By Date

Dimensional Tolerances

Testing and assessment of the data has established that the CZ vials meet the acceptance criteria of the below mentioned analyses. Therefore, West has established a three-year, use-by date for the Daikyo CZ 0.5 mL Conical, 2 mL, 5 mL, 10 mL, 50 mL and 100 mL RU vials.

Products were also evaluated over time for use-by date information. This evaluation included:

- Bacterial Endotoxin
- **USP <661> Physicochemical**
 Non-Volatile Residue
 Heavy Metals
 Buffering Capacity – Same Titrant/Different Titrant
- **Ph. Eur. 3.2.2.1 Plastic Containers for Aqueous Solutions**
 Appearance of Solution
 Acidity and Alkalinity
 Absorbance
 Reducing Substances
 Transparency
- **United States Pharmacopoeia <87> Biological Reactivity Test, In Vitro**
 Elution Test
 (serum-free mammalian cell culture media)
- **JP 7.02 Plastic Containers**
 Foam Test
 pH
 Reducing Substances
 Residue on Evaporation
 UV Spectrum
 Residue on Ignition
 Heavy Metals
 Lead
 Cadmium
 Transparency
 Water Vapor Permeability
 Appearance

DAIKYO _____
Crystal Zenith[®]
THE CLEAR SOLUTION

West and the diamond logo, Flip-Off[®] and By your side for a healthier world[™] are registered trademarks or trademarks of West Pharmaceutical Services, Inc., in the United States and other jurisdictions. SmartDose[®] is a registered trademark of Medimop Medical Projects, Ltd., a subsidiary of West Pharmaceutical Services, Inc. Daikyo Crystal Zenith[®] is a registered trademark of Daikyo Seiko, Ltd. Daikyo Crystal Zenith technology is licensed from Daikyo Seiko, Ltd.

For complete contact information please visit www.westpharma.com.
Copyright © 2015 West Pharmaceutical Services, Inc.

#8791 0615
